

VIA
NOVA

VIBRATING

SCREENS

RODAN



VM-VIBRATING SCREENS

Are manufactured in two series: SF 18 and SF 22. The SF 18 series are employed for smaller and medium sized screens as well as for prescreening. The SF 22 series are employed for large screens and large prescalpers. The vibrations are generated by a rotating shaft placed right through the casing without joints to the substructure. The shaft runs in SKF roller bearings specially designed for vibrating screens, carried in steel housings made by us. The counterbalances on the shaft develops a controlled amplitude.



VIA NOVA

SCREENS OF THIS TYPE HAVE THE FOLLOWING ADVANTAGES:

- Exceptionally simple construction. Two bearing vibrating units.
- Due to the construction no direct mechanical stress occurs and a maximum reliability is obtained without oversizing.
- Large versatility, the amplitude is easily changed by adjusting the counterbalances according to mesh size and character of materials.
- The two bearing construction renders very small maintenance costs.



Electric drive. V-belt transmission.



Top deck transverse 2nd and 3rd deck longitudinally stretched.



Counterbalances. The rotating mass is adjusted according to the character of materials. Casing with SKF roller bearing.



Double spring suspension with galvanized spring.

Screen installation:
VM-screens 1,5 x 5 meter,
3 decks, with washing arrangement.

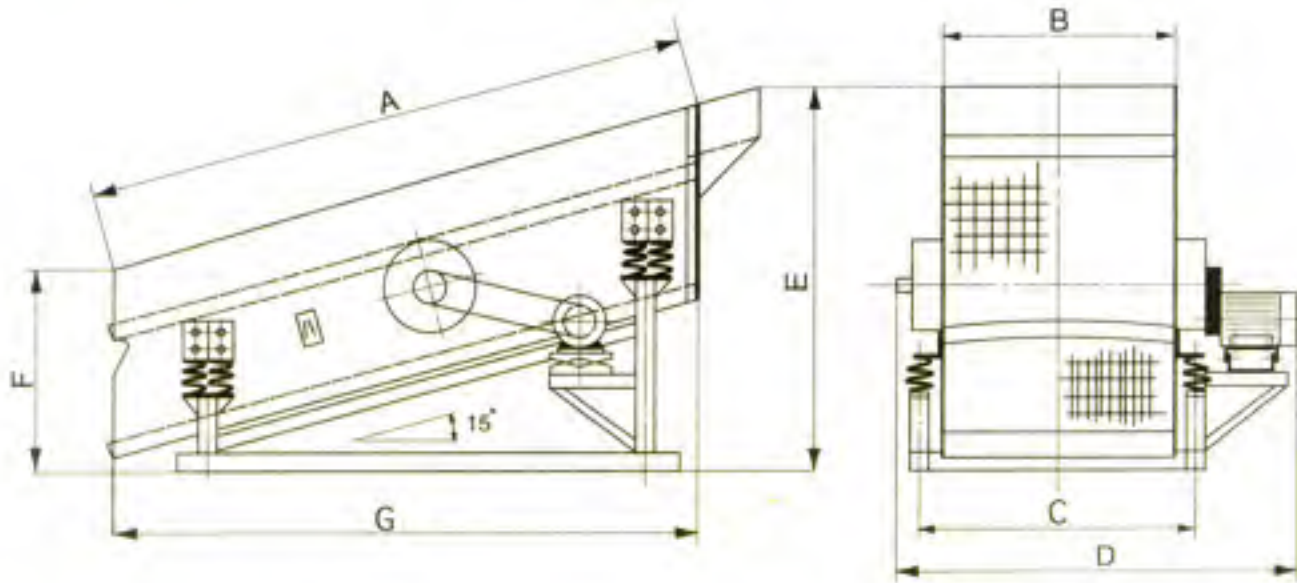


In addition to these standard screens some special designs are manufactured as well as the types on combi-screen models. May be furnished separately on substructure with funnels and walk way.

Screen installation:
one VM-screen
1,5 x 5 meter,
3 decks.



CONSTRUCTION DETAILS:



| SCREEN SIZE A-B M | NO. OF DECKS | WEIGHT KG | DECK AREA M ² | MOTOR HP |
|----------------------------|-----------------|--------------|--------------------------------|-------------|
| 1,25 x 3 | 1 | 1450 | 3.75 | 10 |
| | 2 | 1500 | | |
| | 3 | 1900 | | |
| 1,25 x 4.00 | 1 | 1750 | 5.00 | 10 |
| | 2 | 1835 | | |
| | 3 | 2365 | | |
| 1,50 x 3.00 | 1 | 2100 | 4.50 | 15 |
| | 2 | 2200 | | |
| | 3 | 2680 | | |
| 1,50 x 4.00 | 1 | 2600 | 6.00 | 15 |
| | 2 | 2700 | | |
| | 3 | 3340 | | |
| 1,50 x 5.00 1,80 x 5.00 | 1 | 3100 | 7.50 | 15 |
| | 2 | 3200 | | |
| | 3 | 4000 | | |
| 2.00 x 6.00 | 2 | 7000 | 12 | 40 |
| | 3 | 9000 | | |
| | 4 | 10000 | | |

| DIMENSIONS MM | | | | |
|---------------|------|------|------|------|
| C | D | E | F | G |
| 1550 | 2300 | 2250 | 1350 | 2900 |
| 1550 | 2300 | 2250 | 1350 | 2900 |
| 1550 | 2300 | 2550 | 1650 | 2900 |
| 1550 | 2300 | 2500 | 1350 | 3865 |
| 1550 | 2300 | 2500 | 1350 | 3865 |
| 1550 | 2300 | 2800 | 1650 | 3865 |
| 1800 | 2700 | 2250 | 1350 | 2900 |
| 1800 | 2700 | 2250 | 1350 | 2900 |
| 1800 | 2700 | 2550 | 1650 | 2900 |
| 1800 | 2700 | 2500 | 1350 | 3865 |
| 1800 | 2700 | 2500 | 1350 | 3865 |
| 1800 | 2700 | 2800 | 1650 | 3865 |
| 1800 | 2700 | 2950 | 1550 | 4830 |
| 1800 | 2700 | 2950 | 1550 | 4330 |
| 1800 | 2700 | 3250 | 1850 | 4330 |
| 2710 | 3700 | 4080 | 2400 | 5720 |
| 2710 | 3700 | 4500 | 2400 | 5720 |
| 2710 | 3700 | 4500 | 2400 | 5720 |



المركز المصري لمعدات الطرق والحاجر
The Egyptian Center For Road & Quarry Equipment

Head Office : 163 Gesr El Suez St., Heliopolis, Cairo, Egypt.
Tel.: (+202) 22403465 Fax: (+202) 26359959 Mobile: (+2)0121741099
E-mail: info@rodan-group.com
www.rodan-group.com



فيانوف مصر للصناعة

Tel. : 46104879 مدينة العبور - منطقة (أ)
46104890 قطعة رقم 1 ب بلوك ٢٣-١٣
Fax : 46104878